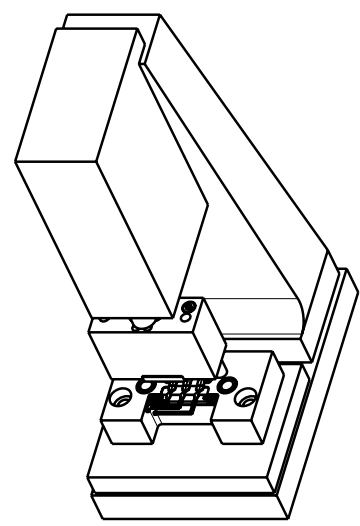
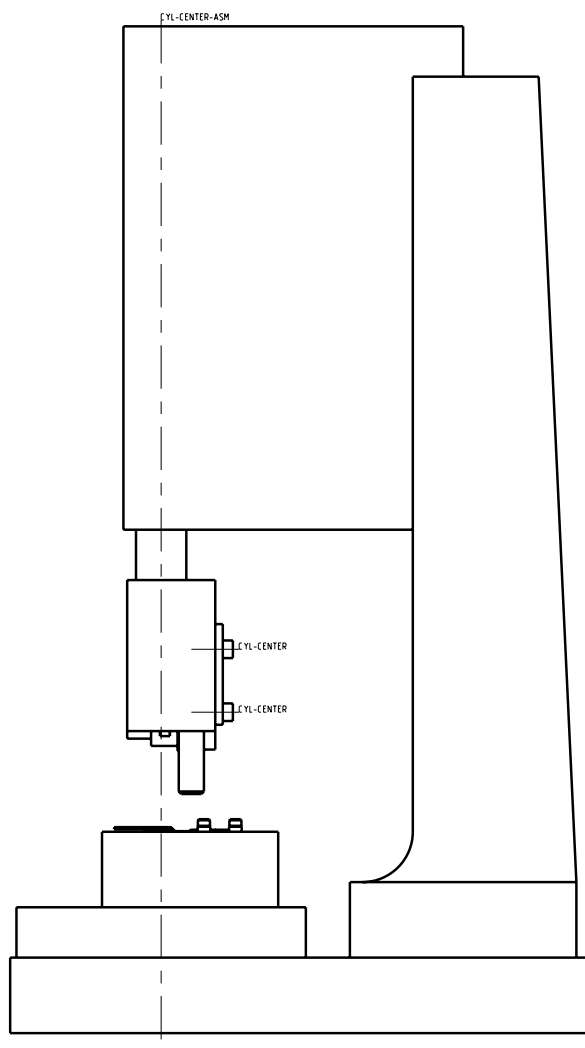
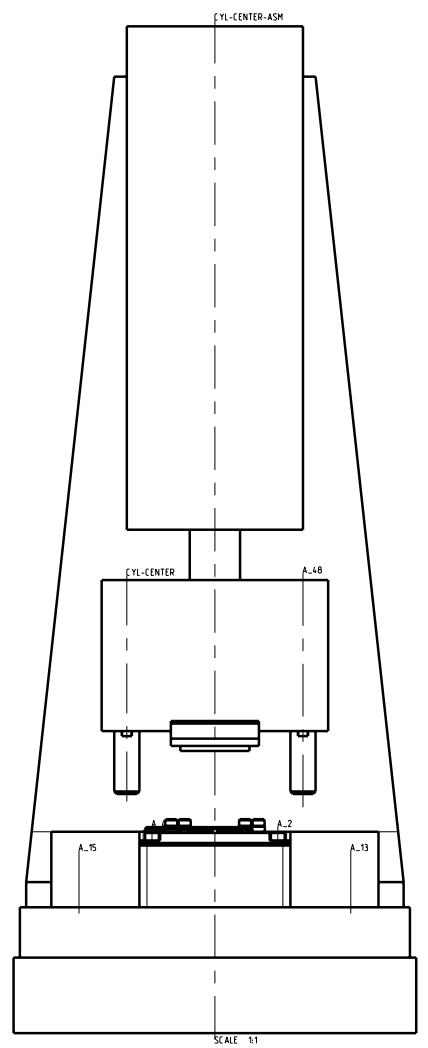


SHOW PART NO. AREA NUMBER X (INCLUDE DASH NO. & REVISION (TR.))
 Model: **5030-01-800**

THIS DRAWING IS A CONTROLLED DOCUMENT FOR
 YOUR COMPANY. IT IS THE PROPERTY OF
 DYNMO ENGINEERING S.V. AND IS LOANED TO YOU
 BY THE COMPANY. IT IS NOT TO BE REPRODUCED, COPIED,
 OR TRANSMITTED IN ANY MANNER WITHOUT THE WRITTEN
 AUTHORIZATION OF DYNMO ENGINEERING S.V.

THIS INFORMATION IS CONFIDENTIAL AND IS STRICTLY TO
 BE USED FOR THE DESIGN AND MANUFACTURE OF THE
 PARTS AND ASSEMBLIES SPECIFIC TO THE
 PROJECT FOR WHICH IT IS ISSUED. IT IS NOT TO BE
 REPRODUCED, COPIED, OR TRANSMITTED IN ANY
 MANNER WITHOUT THE WRITTEN AUTHORIZATION OF
 DYNMO ENGINEERING S.V.



REVISION DESCRIPTION		REVISED BY		REVISION DATE	
MATERIAL	REV. NO.	INITIALS/TRECH	REVISIONS	DATE	DRAWING NO. / SHEET NO.
TITLE			SCALE	DATE	REV. NO. / SHEET NO.
PROJECT			SCALE	DATE	REV. NO. / SHEET NO.
DYNMO Engineering S.V. DYNMO Engineering S.V. DYNMO Engineering S.V. DYNMO Engineering S.V. DYNMO Engineering S.V.					
PROJECT			SCALE	DATE	REV. NO. / SHEET NO.
PROJECT			SCALE	DATE	REV. NO. / SHEET NO.



5030-01-800

4 OF 4
 21
 AI
 10