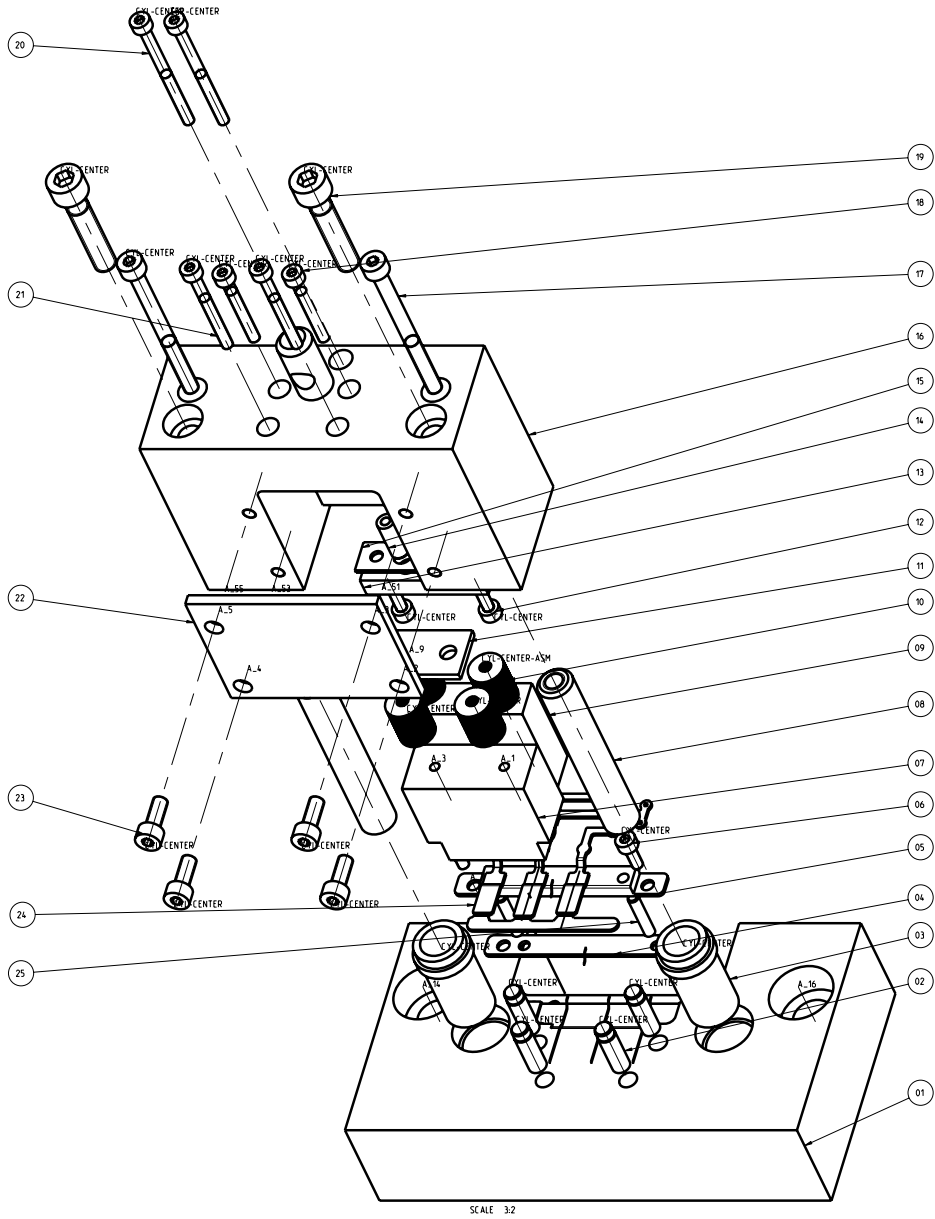


SHOW PART NO. AREA MARKED X INCLUDE DASH NO. & REVISION (LTD.)  
**5030-01-800**  
 MODEL:



SCALE 3:2

POS.	QTY	NAME / NUMBER	DESCRIPTION
25	02	POSITION PIN CUT PLATE	5030-01-8..
24	01	CONNECTOR	
23	04	BOLT	M4x10- 10.9-ISO 4762
22	01	HOLD PLATE	5030-01-8..
21	02	BOLT	M3x30- 10.9-ISO 4762
20	02	BOLT	M3x40- 10.9-ISO 4762
19	02	BOLT	M6x30- 10.9-ISO 4762
18	02	BOLT	M3x25- 10.9-ISO 4762
17	02	BOLT- STROKE STOP	M4x50- 10.9-ISO 4762
16	01	STAMP HOUSE	5030-01-8..
15	01	SHIM PLATE STAMP	5030-01-8..
14	02	POSITION PIN CUT PLATE	5030-01-8..
13	01	SHIM CUT PLATE	5030-01-8..
12	02	BOLT	M3x10- 10.9-ISO 4762
11	01	PLATE SPRING	5030-01-8..
10	80	DISC SPRING	ALCOMEX VEREN TYPE: S22080
09	01	MODIFICATION STAMP	5030-01-8..
08	02	STAMP POSITION PIN	HASCO Z02/10x60 ????
07	01	FIXATION STAMP	5030-01-8..
06	02	BOLT	M3x8- 10.9-ISO 4762
05	01	CUT PLATE	5030-01-8..
04	01	SHIM CUT PLATE	5030-01-8..
03	02	GLYDING BUSH	SANKYO SOSG 10022
02	04	POSITION PIN	5030-01-8..
01	01	STAMP SUPPORT	5030-01-8..

THIS DRAWING IS A CONTROLLED DOCUMENT FOR WHICH THE INFORMATION IS CONFIDENTIAL AND IS SUBJECT TO THE EXPORT CONTROL REGULATIONS. IT IS NOT TO BE REPRODUCED OR TRANSMITTED IN ANY FORM OR BY ANY MEANS, ELECTRONIC OR MECHANICAL, INCLUDING PHOTOCOPYING, RECORDING, OR BY ANY INFORMATION STORAGE AND RETRIEVAL SYSTEM, WITHOUT THE WRITTEN AUTHORIZATION FROM OTCY (MILITARY) S.A.

REVISION DESCRIPTION		REVISED BY		REVISION DATE	
MATERIAL	REV. NO.	INITIALS/TREATMENT	REMARKS	DATE	QUANTITY
TITLE			SCALE	DATE	QUANTITY
PROJECT LEVEL			DATE	DATE	QUANTITY
modify/des. des.			DATE	DATE	QUANTITY
DYNQ Engineering S.V.			DATE	DATE	QUANTITY
5030-01-800			DATE	DATE	QUANTITY

3 OF 4