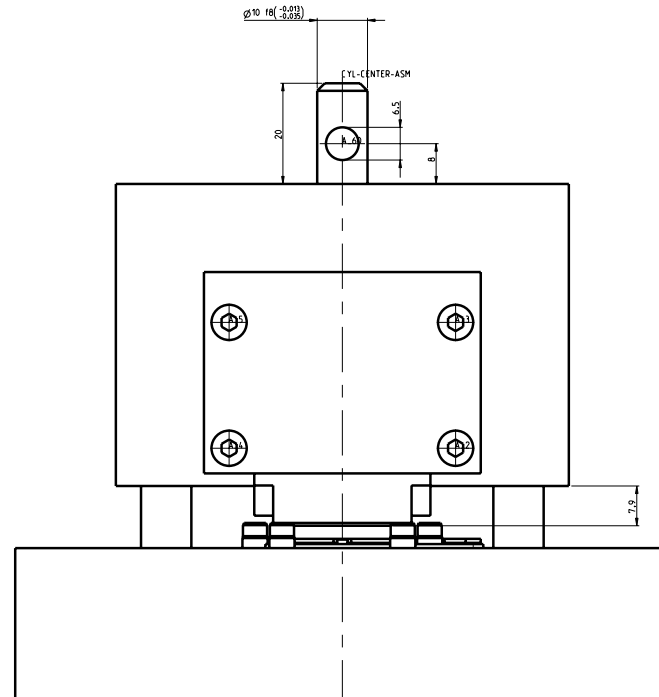
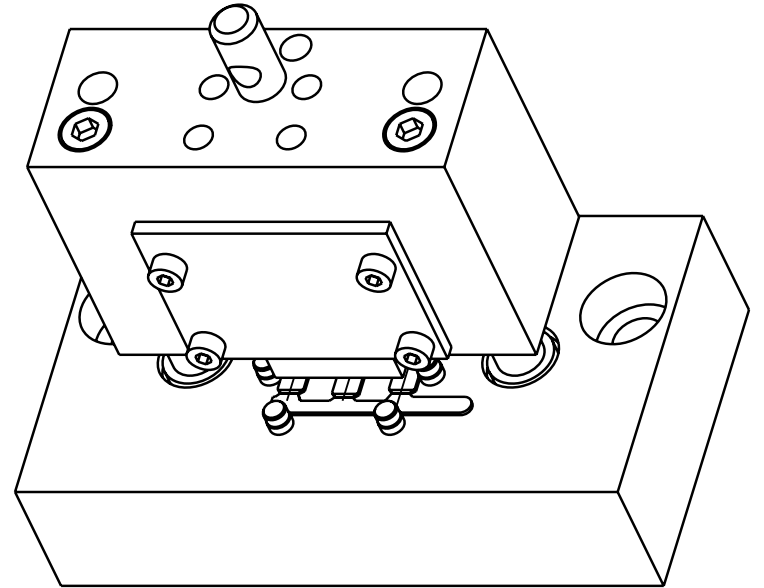
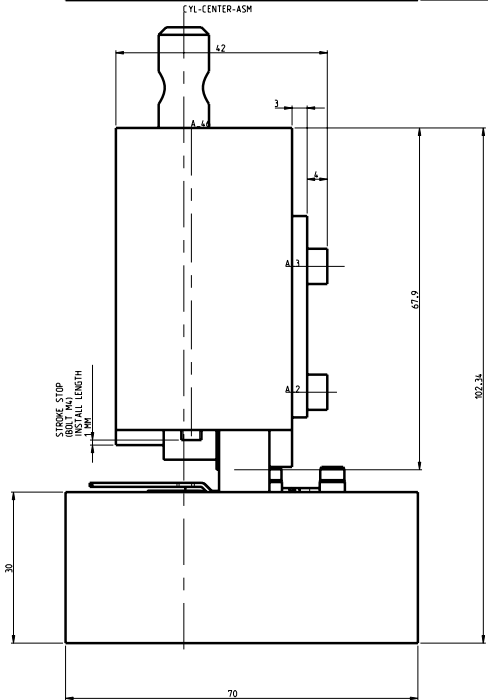
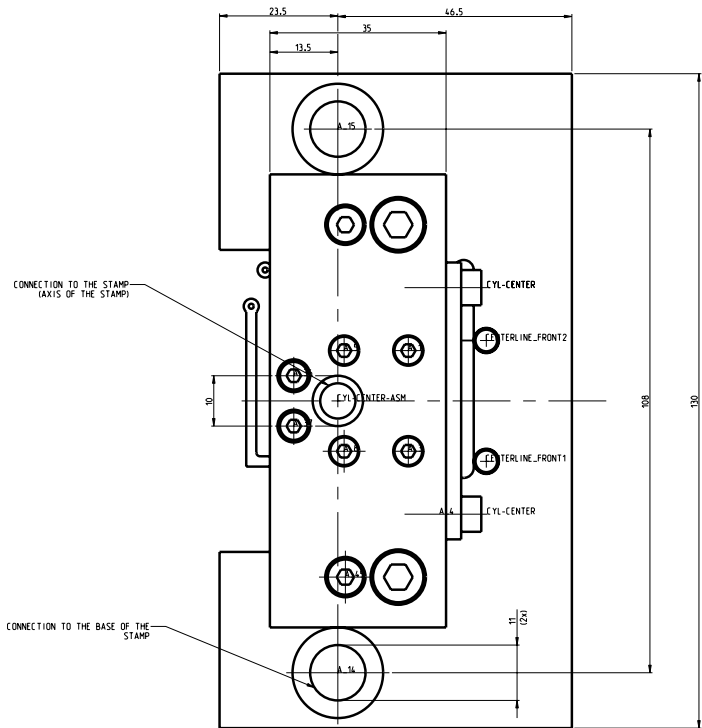


SHOW PART NO. LAST NUMBER X (INCLUDE DASH NO. & REVISION (LTD.)
 MODEL: 5030-01-800



THIS DRAWING IS A CONTROLLED DOCUMENT FOR THE COMPANY AND IS TO BE USED ONLY BY AUTHORIZED PERSONNEL. ANY UNAUTHORIZED REVISIONS TO THIS DRAWING WITHOUT THE APPROVAL OF THE DESIGN ENGINEER IS PROHIBITED.

THIS INFORMATION IS CONFIDENTIAL AND IS TO BE KEPT AS SUCH. IT IS TO BE USED ONLY BY AUTHORIZED PERSONNEL. ANY UNAUTHORIZED REVISIONS TO THIS DRAWING WITHOUT THE APPROVAL OF THE DESIGN ENGINEER IS PROHIBITED.

REVISION DESCRIPTION		REVISION BY		REVISION DATE	
MATERIAL	REV. NO.	DESIGNER	DATE	QUANTITY	DATE
TITLE		DRAWN BY	DATE	QUANTITY	DATE
PROJECT NO.		RELEASE LEVEL	DATE	QUANTITY	DATE
modify the des.		DYNQ Engineering S.V.		REV. NO.	
DYNQ Engineering S.V.		5030-01-800		1 OF 4	
DYNQ Engineering S.V.		5030-01-800		SHEET	
DYNQ Engineering S.V.		5030-01-800		REV.	